

Specifications	Nozzle diameter	Fluid Cup Capacity
1434	0.2mm	7cc
1395	0.3mm	7cc
1568	0.5mm	7cc

* The main body of the 3 airbrushes is the same, and therefore they are compatible, so by simply changing the needle and the nozzle of the same size, you can have an airbrush with a different spray size.

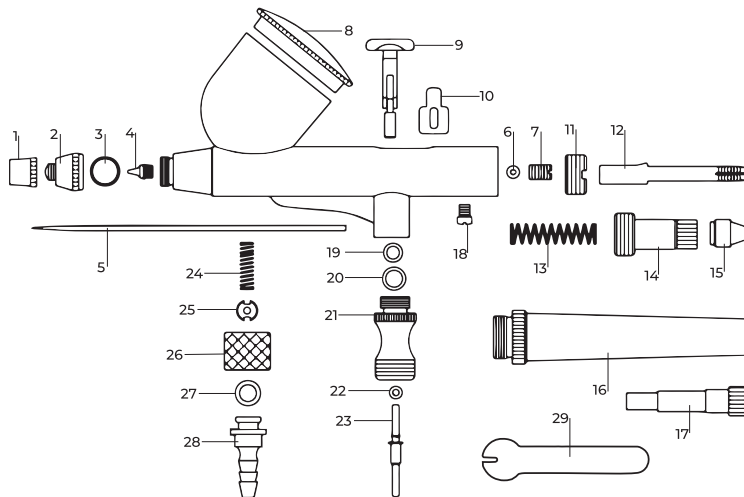
HOW TO AIRBRUSH

- 1.- Fill the paint bowl after thinning appropriately. Use thinners to reach the proper consistency of the paint.
- 2.- Hold the airbrush tightly in your hand.
- 3.- The double-action airbrush has two trigger movements. By depressing the push button or trigger an airstream will come out. The amount of paint however is controlled by pulling it back. The further the trigger is pulled back, the more paint comes out.
- 4.- The size of the airbrush strokes will depend on the distance to the area to be painted.
- 5.- For fine lines, remove the needle cover and hold the airbrush near the area to be painted.

MAINTENANCE

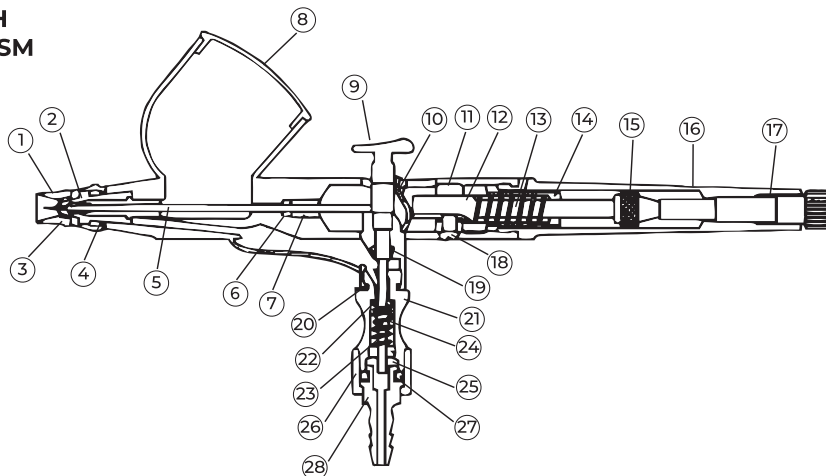
An airbrush is a precision tool, and like other precision tools, it's susceptible to being damaged if handled incorrectly. It's important to properly handle the components to ensure prolonged use and proper operation of the system. To properly maintain the airbrush it needs to be cleaned after each use, adjusted when needed, and repaired or replaced with the correct parts as needed. Proper maintenance of the airbrush tool will result in free-flowing, consistent, and easy operation.

EXPLODED VIEW



PARTS NAME			
1. Needle Cap	9. Push Button	17. Adjustin Screw	25. Valve Screw
2. Nozzle Cap	10. Lever Guide	18. Guide Screw	26. Hose Connector Nut
3. O-Ring for Nozzle Cap	11. Stopper	19. Lever Guide O-Ring	27. O-Ring for House Connector
4. Nozzle	12. Needle Chucking Guide	20. Valve O-Ring	28. Hose Connector
5. Needle	13. Spring	21. Valve Body	29. Wrench
6. O-Ring for Needle Guide	14. Spring Case	22. Valve Rod O-Ring	
7. Needle Guide	15. Needle Chucking Nut	23. Valve Rod	
8. Lid for Color Cup	16. Handle	24. Valve Spring	

ARIBRUSH MECHANISM



CLEANING THE AIRBRUSH

It's important that the airbrush is cleaned immediately after each use and not allow the colour to dry in it. Not cleaning the airbrush will cause a blockage in the operating mechanism and shorten the usefulness of the airbrush. The airbrush will also need to be cleaned each time the colour is changed.

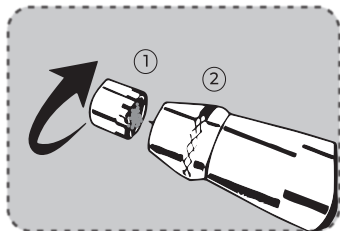
QUICK PAINT FLUSH BETWEEN COLOUR CHANGES

When using acrylic paints, you should clean your airbrush regularly before the paint dries between colour changes with a quick paint flush. The airbrush should be cleaned by filling the bowl with clean water and dumping out excess paint from the colour cup, repeating the process until it sprays clear. Help yourself with an old synthetic brush to clean the inside of the paint bowl.

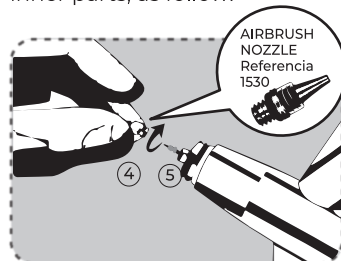
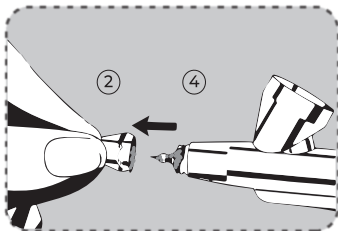
Alternate between using the GSW Airbrush cleaner and water, and then wipe the paint cup out with a paper towel.

DEEP CLEANING OF THE AIRBRUSH AT THE END OF THE PAINT SESSION

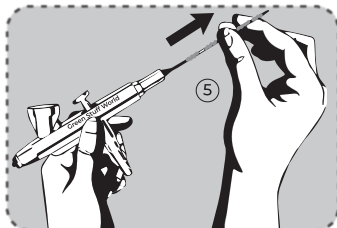
If you want to carry out a thorough cleaning, in addition to performing the above procedure, it is advisable to partially disassemble the airbrush to reach needle (5), nozzle (4) and other inner parts, as follow:



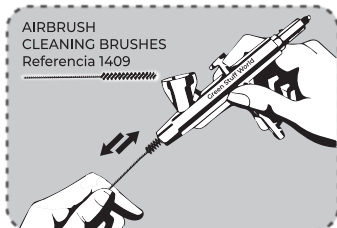
- Disassemble Needle cap (1), Nozzle cap (2), and back handle (16), as well as loosen the needle chucking nut (15).



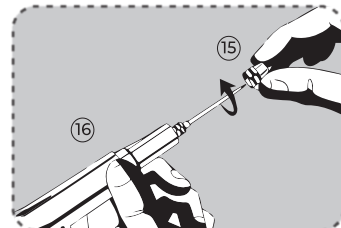
- The nozzle (4) should be carefully cleaned inside. Use the nozzle wrench (29) to disassemble it. Take into account that overtightening the nozzle could cause sudden breakage.



- Pull the needle (5) out. Clean the needle with a small amount of Airbrush Cleaner by wiping only towards the sharp needlepoint. Only wipe the needle in a back-to-front direction so as not to puncture yourself. Needles are extremely sharp and delicate.



- The inside of the airbrush body must be also cleaned with clean water or paint remover. Using airbrush nozzle cleaning wires up into the main body, push deep toward the back of the airbrush. Scrub back and forth, twisting in and out. Repeat until there is no paint debris on the brush.



- Reassemble the airbrush and verify that it works correctly without obstructions, for example, spraying clean water or thinner.



GREEN STUFF WORLD SL
support@greenstuffworld.com
 Tel: +34 965 14 51 07
 Alicante - Spain